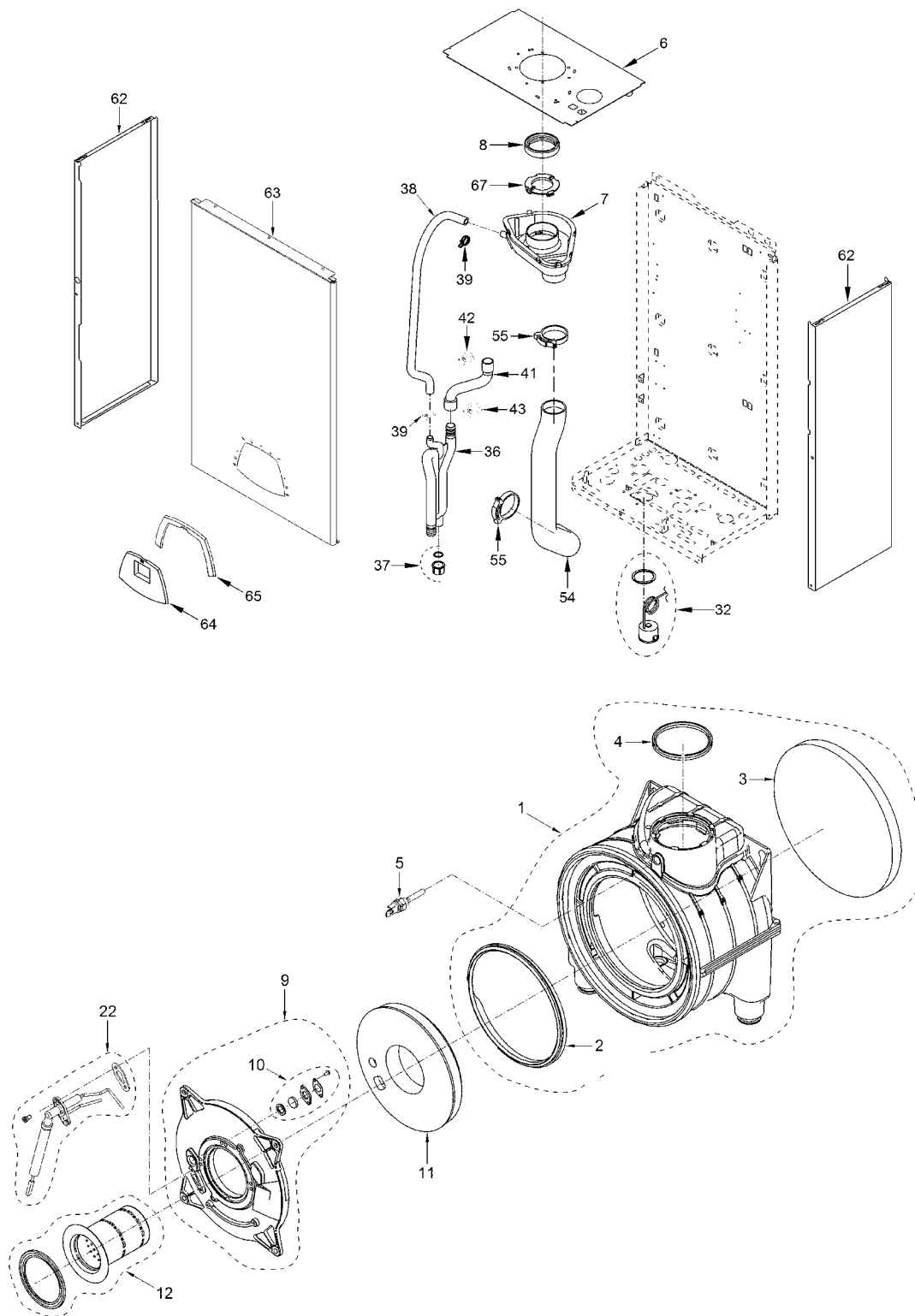


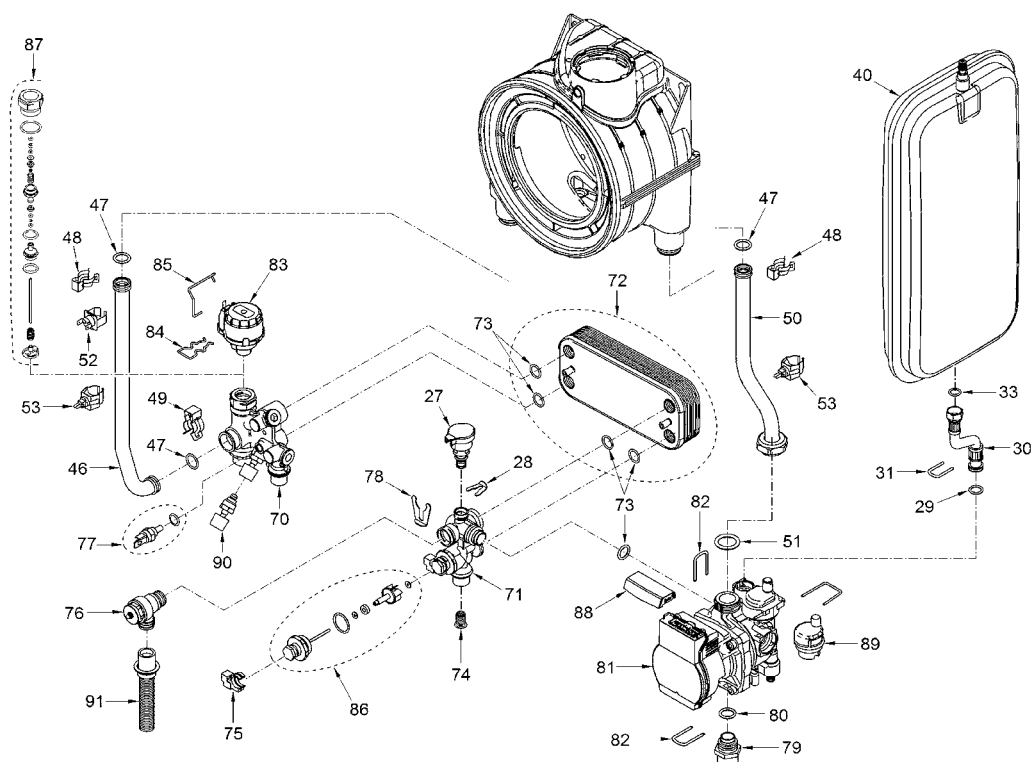
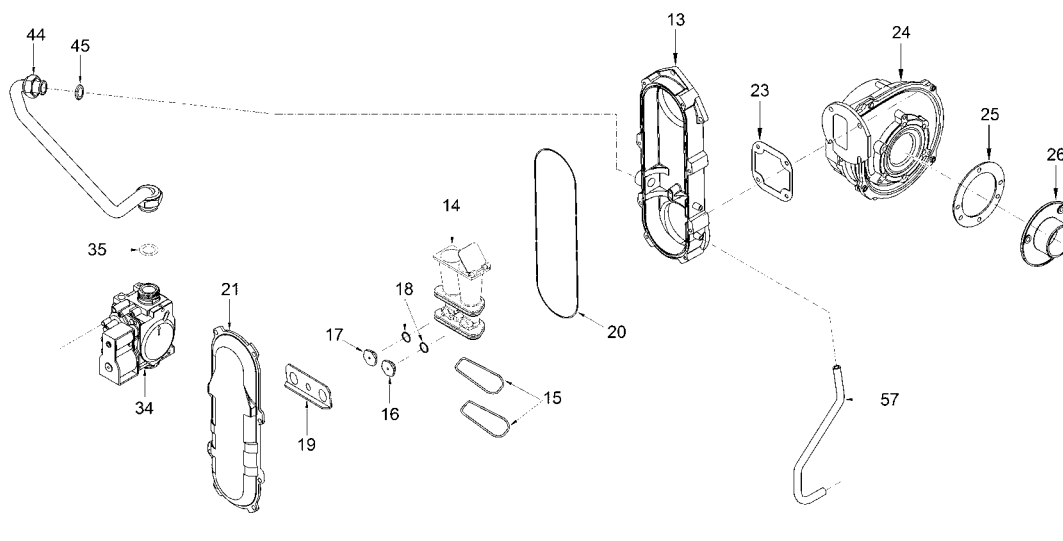
EDEA HM 25 GPL

[8116721]

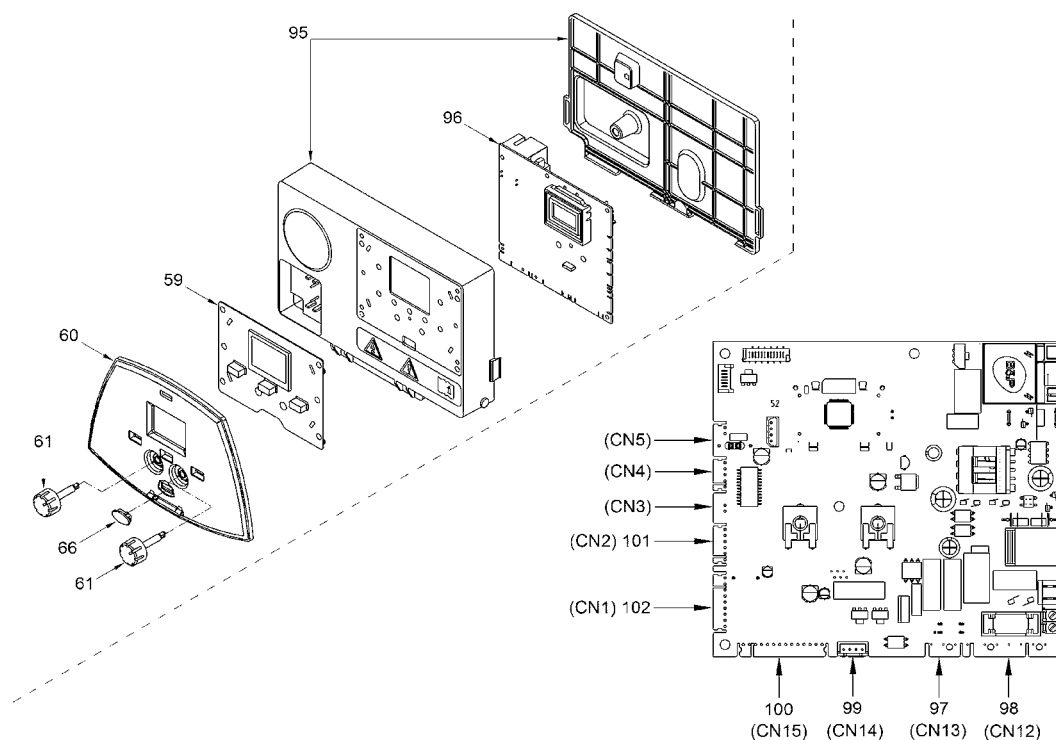




EDEA HM 25 GPL



EDEA HM 25 GPL



ΘΕΣΗ	ΚΩΔΙΚΟΣ	ΠΕΡΙΓΡΑΦΗ	ΤΙΜΗ
001	0527-6278971	Heat exchanger gas-water	€
002	0527-6326953	Sealing	€
003	0527-6326951	Rear insulation + springs	€
004	0527-6248876	Smoke outlet gasket ø80 mm	€
005	0527-6277130	Probe NTC D.4X40	€
006	0527-6291162	Upper protection shield	€
007	0527-6278706	Smoke chamber	€
008	0527-6248855	P.C. inlet/outlet smokes gasket	€
009	0527-5188364	Main exchanger door	€
010	0527-6211794	Peephole kit + gasket	€
011	0527-6269034	Insulation	€
012	0527-8076125	Burner + gasket kit	€
013	0527-6278813	Air-gas hose lower side	€
014	0527-5200303	Air/gas mixer assembly	€
015	0527-6226470	ORing 52,07 x 2,62	€
016	0527-6322306	Round nozzle Ø 2,40	€
017	0527-6322352	Hexagonal nozzle Ø 2,90	€
018	0527-6226403	O-ring 2031	€
019	0527-6267119	Nozzle locking bracket	€
020	0527-6226465	O-ring Ø 183,83x2,62	€
021	0527-6278812	Air-gas hose upper side	€



EDEA HM 25 GPL



ΘΕΣΗ	ΚΩΔΙΚΟΣ	ΠΕΡΙΓΡΑΦΗ	ΤΙΜΗ
022	0527- 6281609	Ignit.-ionis.electrode +gasket	€
023	0527- 6174816	Gasket for fan flange	€
024	0527- 6261408	Fan	€
024A	0527- 6281685	Fan + instruction sheet	€
025	0527- 6028703	Gasket for duct flange	€
026	0527- 6083056	Duct flange 50	€
027	0527- 6273608	Water pressure transducer	€
028	0527- 6226639	Spring clip	€
029	0527- 6226476	ORing diam.15x2	€
030	0527- 6017405	Flexible pipe M.F. 3/8" L=300	€
031	0527- 6226643	Pipe fixing spring	€
032	0527- 6281716	Hydrometer + spring	€
033	0527- 2030226	Gasket Ø 10,2x14,8x2	€
034	0527- 6243840	Gas valve	€
035	0527- 2030228	Gasket Ø 17x24x2	€
036	0527- 6277211	Water trap	€
037	0527- 5171635	Cap + gasket for water trap kit	€
038	0527- 1010215	Rubber pipe dia. 15x2,5	€
039	0527- 2051120	Clamp diam. 17,3	€
040	0527- 5183729	Rectang. expans.vessel 9 l. 3/8	€
041	0527- 6034155	Condensate drainage pipe	€
042	0527- 2051122	Clamp	€
043	0527- 2051123	Clamp diam.	€
044	0527- 6277479	Pipe connecting gas valve	€
045	0527- 2030255	Gasket Ø 12,5x18,5x3	€
046	0527- 6227486	Flowing pipe to C.H. system	€
047	0527- 6226412	O-ring 3068	€
048	0527- 6226619	Spring for heat exchanger conne	€
049	0527- 6226601	Spring for heat exchanger conne	€
050	0527- 6227548	Return pipe from C.H. system	€
051	0527- 2030267	Piracriten gasket Ø 30x17x2	€
052	0527- 6146729	100°C safety stat	€
053	0527- 6231372	Temperature sensor	€
054	0527- 6001174	Air intake pipe 55	€
055	0527- 2051252	Hose clamp Ø 53-57	€
057	0527- 1010209	Silicon pipe Ø 8x1.5	€
059	0527- 6329900	Rubber button	€
060	0527- 6329800	Interface panel	€
061	0527- 6290170	Knob Ø 20	€
062	0527- 6304480	casing left/right side panel	€
063	0527- 6304251	Casing front panel	€
064	0527- 6281730	Door for front panel	€
065	0527- 6299760	Frame for front panel	€
066	0527- 6329960	Rubber cap	€

EDEA HM 25 GPL

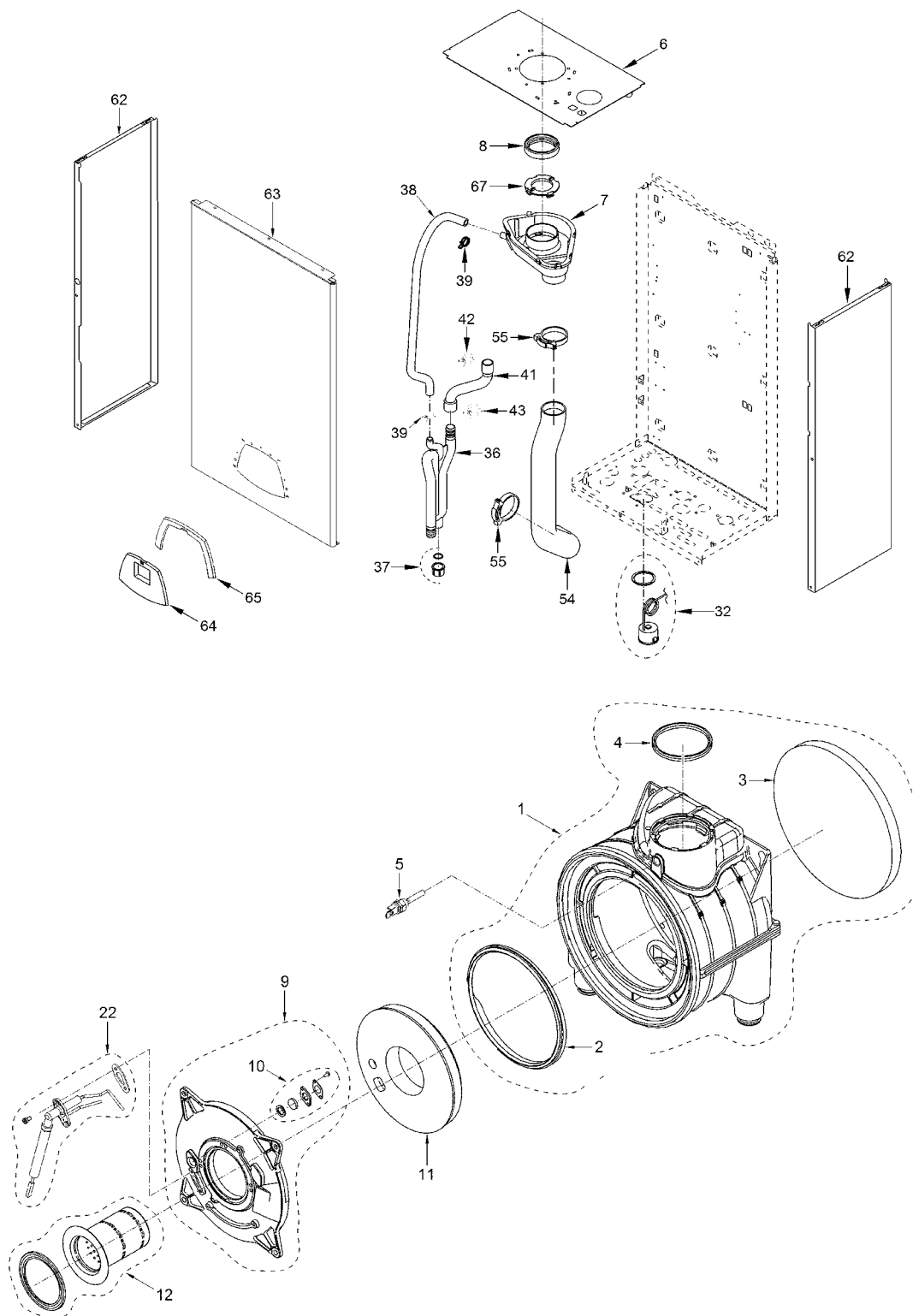


ΘΕΣΗ	ΚΩΔΙΚΟΣ	ΠΕΡΙΓΡΑΦΗ	ΤΙΜΗ
067	0527- 6028663	Smoke exhaust diaphragm D.34	€
070	0527- 6265870	C.H. flow manifold	€
071	0527- 6265832	C.H. return manifold	€
072	0527- 6319690	kit 12 plate heat exchanger + o	€
073	0527- 6226475	ORing diam.18,64x3,53	€
074	0527- 6222003	D.H.W. filter	€
075	0527- 6131440	Flowmeter sensor	€
076	0527- 6040226	Pressure relief valve 1/2" 3 ba	€
077	0527- 6281519	Plunged sensor + gasket	€
078	0527- 6226645	Spring clip	€
079	0527- 6120560	Pump nipple 3/4"	€
080	0527- 6226475	ORing diam.18,64x3,53	€
081	0527- 6330401	Modulating circulating pump	€
082	0527- 6226644	Spring clip for rotating connec	€
083	0527- 6087332	Motor for diverting valve	€
084	0527- 6226636	D.H.W. elektrovalve fix.spring	€
085	0527- 6226638	Divertor valve motor spring cli	€
086	0527- 6319644	Flowmeter group	€
087	0527- 6319645	Three-way plates group	€
088	0527- 6319647	Circulateur top cover	€
089	0527- 6013182	Automatic air vent	€
090	0527- 6319639	Filling cock	€
091	0527- 6034131	Flexible pipe	€
095	0527- 6304720	Control panel	€
096	0527- 6324982	Main P.C.B	€
097	0527- 6329610	4 pole cable connector CN13	€
098	0527- 6323875	6 pole cable connector CN12	€
099	0527- 6329611	4 pole cable connector CN14	€
100	0527- 6325811	14 pole cable connector CN15	€
101	0527- 6329457	6 pole cable connector CN2	€
102	0527- 6325671	9 pole cable connector CN1	€
700	0527- 5202582	Complete control panel	€
705	0527- 5185153	L.P.G. conversion kit	€
706	0527- 5185157	G25,1 conversion kit	€
707	0527- 5185158	G230 conversion kit	€
708	0527- 5185160	Conversion kit for natural gas	€

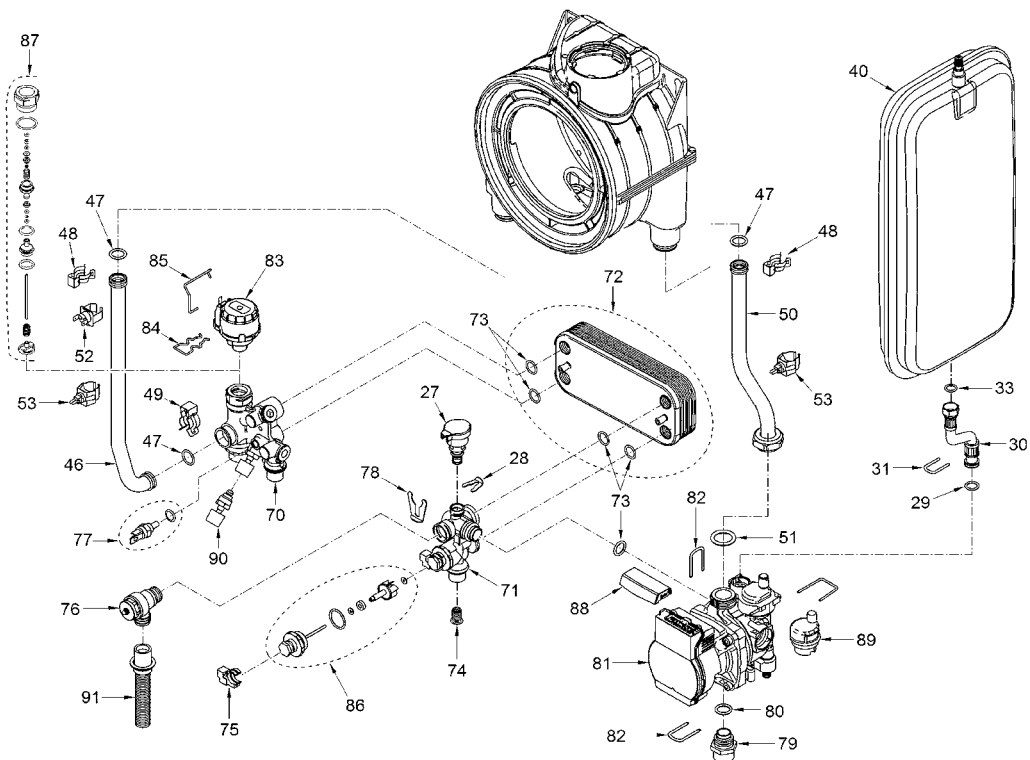
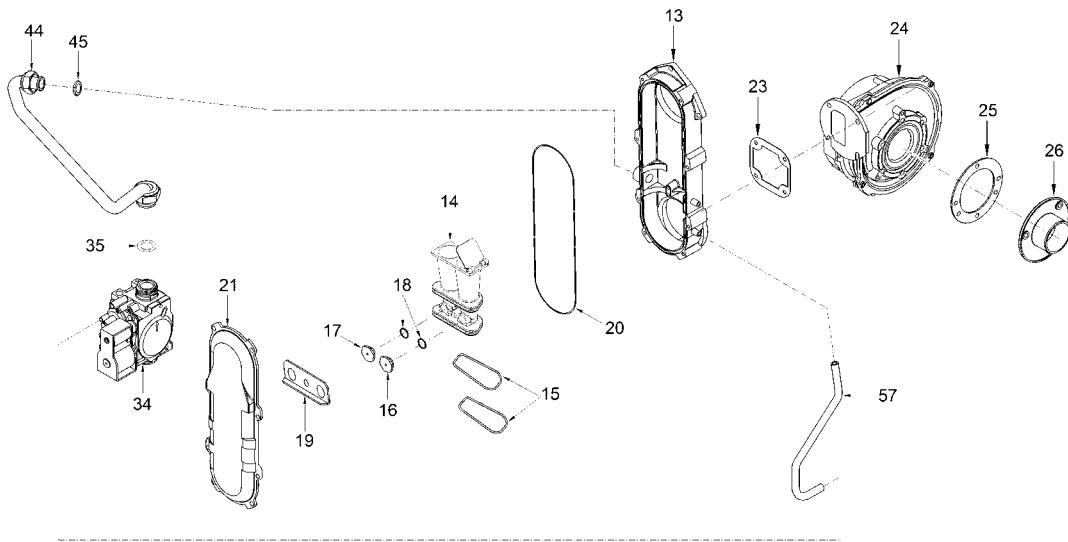


EDEA HM 30 GPL

[8116723]

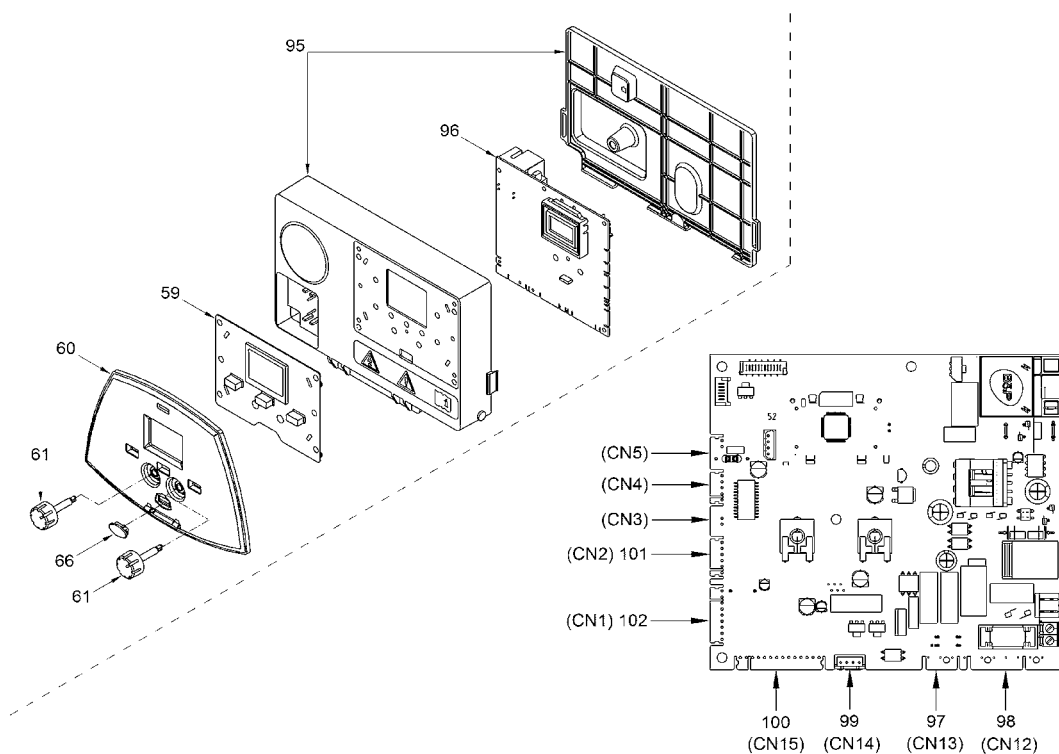


EDEA HM 30 GPL





EDEA HM 30 GPL



ΘΕΣΗ	ΚΩΔΙΚΟΣ	ΠΕΡΙΓΡΑΦΗ	ΤΙΜΗ
001	0527-6278971	Heat exchanger gas-water	€
002	0527-6326953	Sealing	€
003	0527-6326951	Rear insulation + springs	€
004	0527-6248876	Smoke outlet gasket ø80 mm	€
005	0527-6277130	Probe NTC D.4X40	€
006	0527-6291162	Upper protection shield	€
007	0527-6278706	Smoke chamber	€
008	0527-6248855	P.C. inlet/outlet smokes gasket	€
009	0527-5188364	Main exchanger door	€
010	0527-6211794	Peephole kit + gasket	€
011	0527-6269034	Insulation	€
012	0527-8076126	Burner + gasket kit	€
013	0527-6278813	Air-gas hose lower side	€
014	0527-5200301	Air/gas mixer assembly	€
015	0527-6226470	ORing 52,07 x 2,62	€
016	0527-6322300	Round nozzle Ø 2,80	€
017	0527-6322354	Hexagonal nozzle Ø 3,00	€
018	0527-6226403	O-ring 2031	€
019	0527-6267119	Nozzle locking bracket	€
020	0527-6226465	O-ring Ø 183,83x2,62	€
021	0527-6278812	Air-gas hose upper side	€

EDEA HM 30 GPL



ΘΕΣΗ	ΚΩΔΙΚΟΣ	ΠΕΡΙΓΡΑΦΗ	ΤΙΜΗ
022	0527-6281609	Ignit.-ionis.electrode +gasket	€
023	0527-6174816	Gasket for fan flange	€
024	0527-6261412	Fan	€
025	0527-6028703	Gasket for duct flange	€
026	0527-6083056	Duct flange 50	€
027	0527-6273608	Water pressure transducer	€
028	0527-6226639	Spring clip	€
029	0527-6226476	ORing diam.15x2	€
030	0527-6017405	Flexible pipe M.F. 3/8" L=300	€
031	0527-6226643	Pipe fixing spring	€
032	0527-6281716	Hydrometer + spring	€
033	0527-2030226	Gasket Ø 10,2x14,8x2	€
034	0527-6243840	Gas valve	€
035	0527-2030228	Gasket Ø 17x24x2	€
036	0527-6277211	Water trap	€
037	0527-5171635	Cap + gasket for water trap kit	€
038	0527-1010215	Rubber pipe dia. 15x2,5	€
039	0527-2051120	Clamp diam. 17,3	€
040	0527-5183729	Rectang. expans.vessel 9 l. 3/8	€
041	0527-6034155	Condensate drainage pipe	€
042	0527-2051122	Clamp	€
043	0527-2051123	Clamp diam.	€
044	0527-6277479	Pipe connecting gas valve	€
045	0527-2030255	Gasket Ø 12,5x18,5x3	€
046	0527-6227486	Flowing pipe to C.H. system	€
047	0527-6226412	O-ring 3068	€
048	0527-6226619	Spring for heat exchanger conne	€
049	0527-6226601	Spring for heat exchanger conne	€
050	0527-6227548	Return pipe from C.H. system	€
051	0527-2030267	Piracriten gasket Ø 30x17x2	€
052	0527-6146729	100°C safety stat	€
053	0527-6231372	Temperature sensor	€
054	0527-6001182	Air intake superior pipe ø55	€
055	0527-2051252	Hose clamp Ø 53-57	€
056	0527-6001183	Air intake inferior pipe ø55	€
057	0527-1010209	Silicon pipe Ø 8x1.5	€
058	0527-6188883	Noise reduction pipe	€
059	0527-6329900	Rubber button	€
060	0527-6329800	Interface panel	€
061	0527-6290170	Knob Ø 20	€
062	0527-6304480	casing left/right side panel	€
063	0527-6304251	Casing front panel	€
064	0527-6281730	Door for front panel	€
065	0527-6299760	Frame for front panel	€



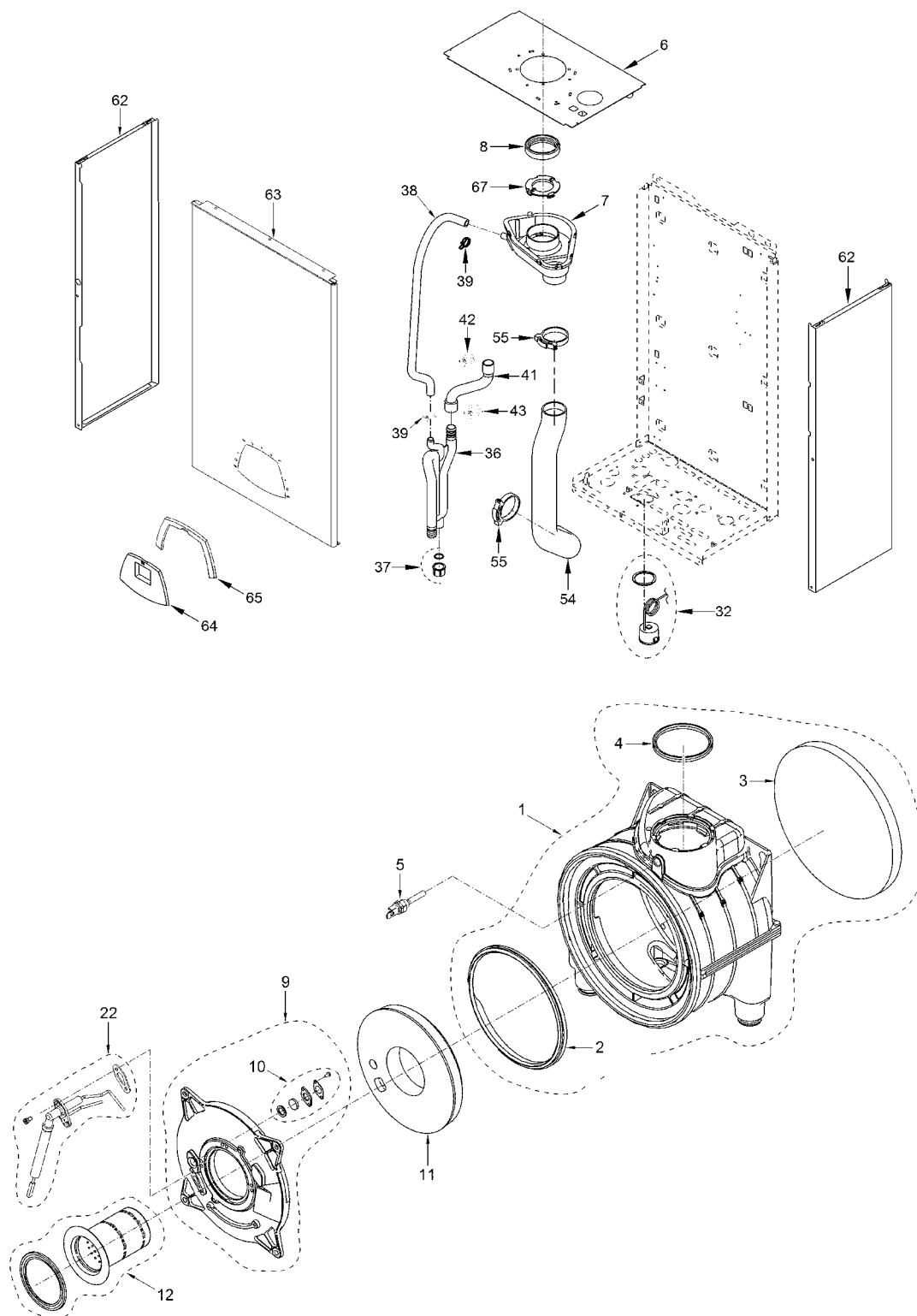
EDEA HM 30 GPL



ΘΕΣΗ	ΚΩΔΙΚΟΣ	ΠΕΡΙΓΡΑΦΗ	ΤΙΜΗ
066	0527-6329960	Rubber cap	€
067	0527-6028665	Smoke exhaust diaphragm	€
068	0527-6226757	Plug for noise reduction	€
070	0527-6265870	C.H. flow manifold	€
071	0527-6265832	C.H. return manifold	€
072	0527-6319692	Kit 16 plate heat exchanger + o	€
073	0527-6226475	ORing diam.18,64x3,53	€
074	0527-6222003	D.H.W. filter	€
075	0527-6131440	Flowmeter sensor	€
076	0527-6040226	Pressure relief valve 1/2" 3 ba	€
077	0527-6281519	Plunged sensor + gasket	€
078	0527-6226645	Spring clip	€
079	0527-6120560	Pump nipple 3/4"	€
080	0527-6226475	ORing diam.18,64x3,53	€
081	0527-6330401	Modulating circulating pump	€
082	0527-6226644	Spring clip for rotating connec	€
083	0527-6087332	Motor for diverting valve	€
084	0527-6226636	D.H.W. elektrovalve fix.spring	€
085	0527-6226638	Divertor valve motor spring cli	€
086	0527-6319644	Flowmeter group	€
087	0527-6319645	Three-way plates group	€
088	0527-6319647	Circulateur top cover	€
089	0527-6013182	Automatic air vent	€
090	0527-6319639	Filling cock	€
091	0527-6034131	Flexible pipe	€
095	0527-6304720	Control panel	€
096	0527-6324982	Main P.C.B	€
097	0527-6329610	4 pole cable connector CN13	€
098	0527-6323875	6 pole cable connector CN12	€
099	0527-6329611	4 pole cable connector CN14	€
100	0527-6325811	14 pole cable connector CN15	€
101	0527-6329457	6 pole cable connector CN2	€
102	0527-6325671	9 pole cable connector CN1	€
700	0527-5202582	Complete control panel	€
705	0527-5185154	L.P.G. conversion kit	€
706	0527-5185161	Conversion kit for natural gas	€

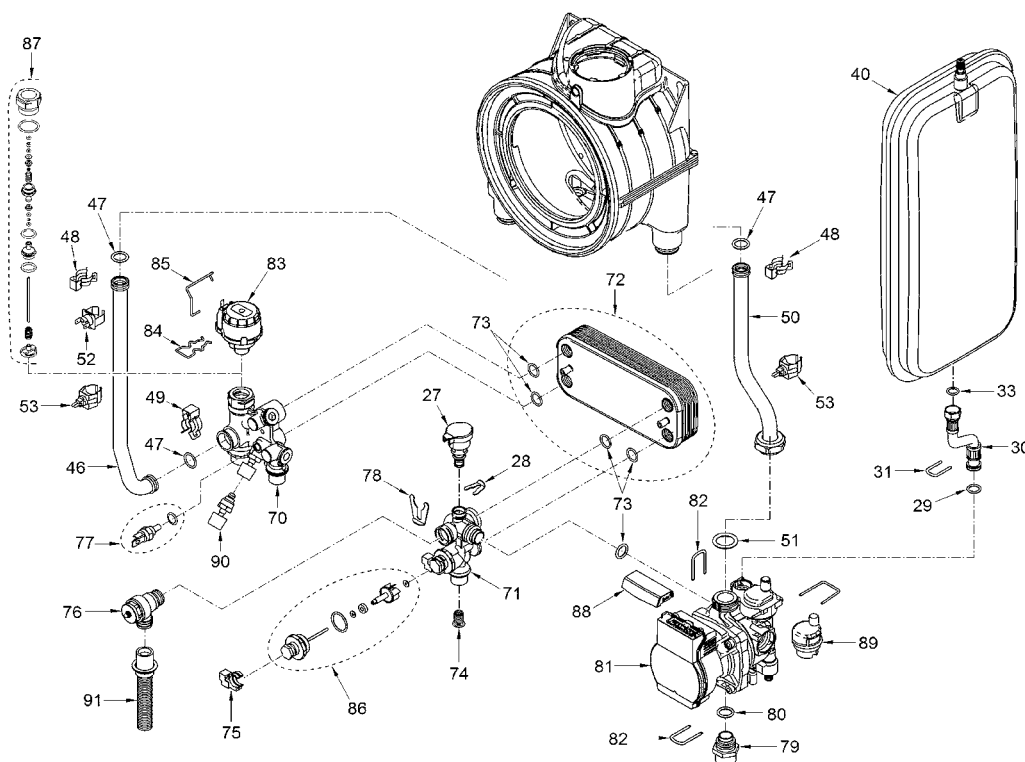
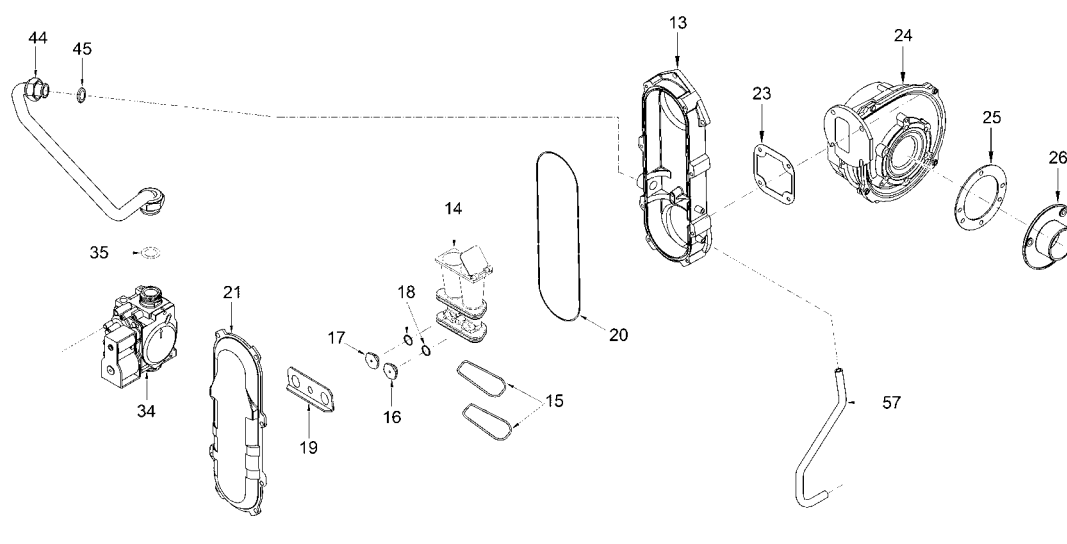
EDEA HM 35 GPL

[8116725]

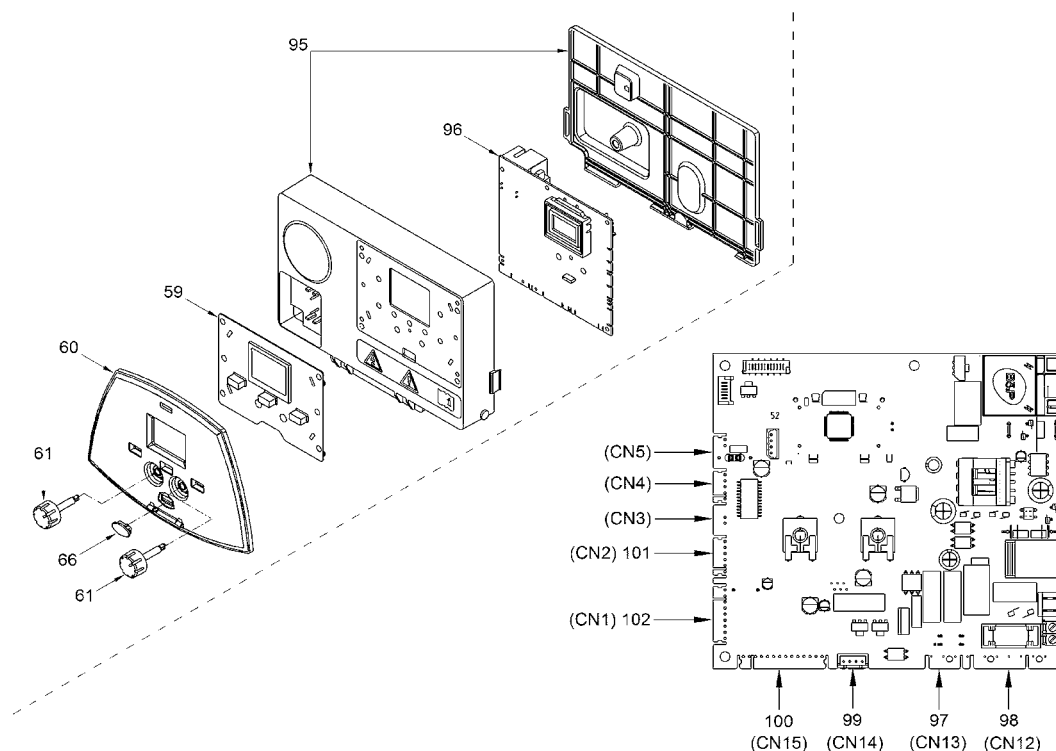




EDEA HM 35 GPL



EDEA HM 35 GPL



ΘΕΣΗ	ΚΩΔΙΚΟΣ	ΠΕΡΙΓΡΑΦΗ	ΤΙΜΗ
001	6278955	Heat exchanger gas-water	€
002	6326953	Sealing	€
003	6326951	Rear insulation + springs	€
004	6248876	Smoke outlet gasket ø80 mm	€
005	6277130	Probe NTC D.4X40	€
006	6291162	Upper protection shield	€
007	6278706	Smoke chamber	€
008	6248855	P.C. inlet/outlet smokes gasket	€
009	5188364	Main exchanger door	€
010	6211794	Peephole kit + gasket	€
011	6269034	Insulation	€
012	8076128	Burner + gasket kit	€
013	6278813	Air-gas hose lower side	€
014	5200311	GR.MISCEL.GAS EDEA 35 HE	€
015	6226470	ORing 52,07 x 2,62	€
016	6322311	Round nozzle Ø 2,60	€
017	6322354	Hexagonal nozzle Ø 3,00	€
018	6226403	O-ring 2031	€
019	6267119	Nozzle locking bracket	€
020	6226465	O-ring Ø 183,83x2,62	€
021	6278812	Air-gas hose upper side	€



EDEA HM 35 GPL



ΘΕΣΗ	ΚΩΔΙΚΟΣ	ΠΕΡΙΓΡΑΦΗ	ΤΙΜΗ
022	0527-6281609	Ignit.-ionis.electrode +gasket	€
023	0527-6174816	Gasket for fan flange	€
024	0527-6261408	Fan	€
025	0527-6028703	Gasket for duct flange	€
026	0527-6083056	Duct flange 50	€
027	0527-6273608	Water pressure transducer	€
028	0527-6226639	Spring clip	€
029	0527-6226476	ORing diam.15x2	€
030	0527-6017405	Flexible pipe M.F. 3/8" L=300	€
031	0527-6226643	Pipe fixing spring	€
032	0527-6281716	Hydrometer + spring	€
033	0527-2030226	Gasket Ø 10,2x14,8x2	€
034	0527-6243840	Gas valve	€
035	0527-2030228	Gasket Ø 17x24x2	€
036	0527-6277211	Water trap	€
037	0527-5171635	Cap + gasket for water trap kit	€
038	0527-1010215	Rubber pipe dia. 15x2,5	€
039	0527-2051120	Clamp diam. 17,3	€
040	0527-5183729	Rectang. expans.vessel 9 l. 3/8	€
041	0527-6034155	Condensate drainage pipe	€
042	0527-2051122	Clamp	€
043	0527-2051123	Clamp diam.	€
044	0527-6277479	Pipe connecting gas valve	€
045	0527-2030255	Gasket Ø 12,5x18,5x3	€
046	0527-6227486	Flowing pipe to C.H. system	€
047	0527-6226412	O-ring 3068	€
048	0527-6226619	Spring for heat exchanger conne	€
049	0527-6226601	Spring for heat exchanger conne	€
050	0527-6227548	Return pipe from C.H. system	€
051	0527-2030267	Piracriten gasket Ø 30x17x2	€
052	0527-6146729	100cC safety stat	€
053	0527-6231372	Temperature sensor	€
054	0527-6001182	Air intake superior pipe ø55	€
055	0527-2051252	Hose clamp Ø 53-57	€
056	0527-6001183	Air intake inferior pipe ø55	€
057	0527-1010209	Silicon pipe Ø 8x1.5	€
058	0527-6188883	Noise reduction pipe	€
059	0527-6329900	Rubber button	€
060	0527-6329800	Interface panel	€
061	0527-6290170	Knob Ø 20	€
062	0527-6304480	casing left/right side panel	€
063	0527-6304251	Casing front panel	€
064	0527-6281730	Door for front panel	€
065	0527-6299760	Frame for front panel	€

EDEA HM 35 GPL

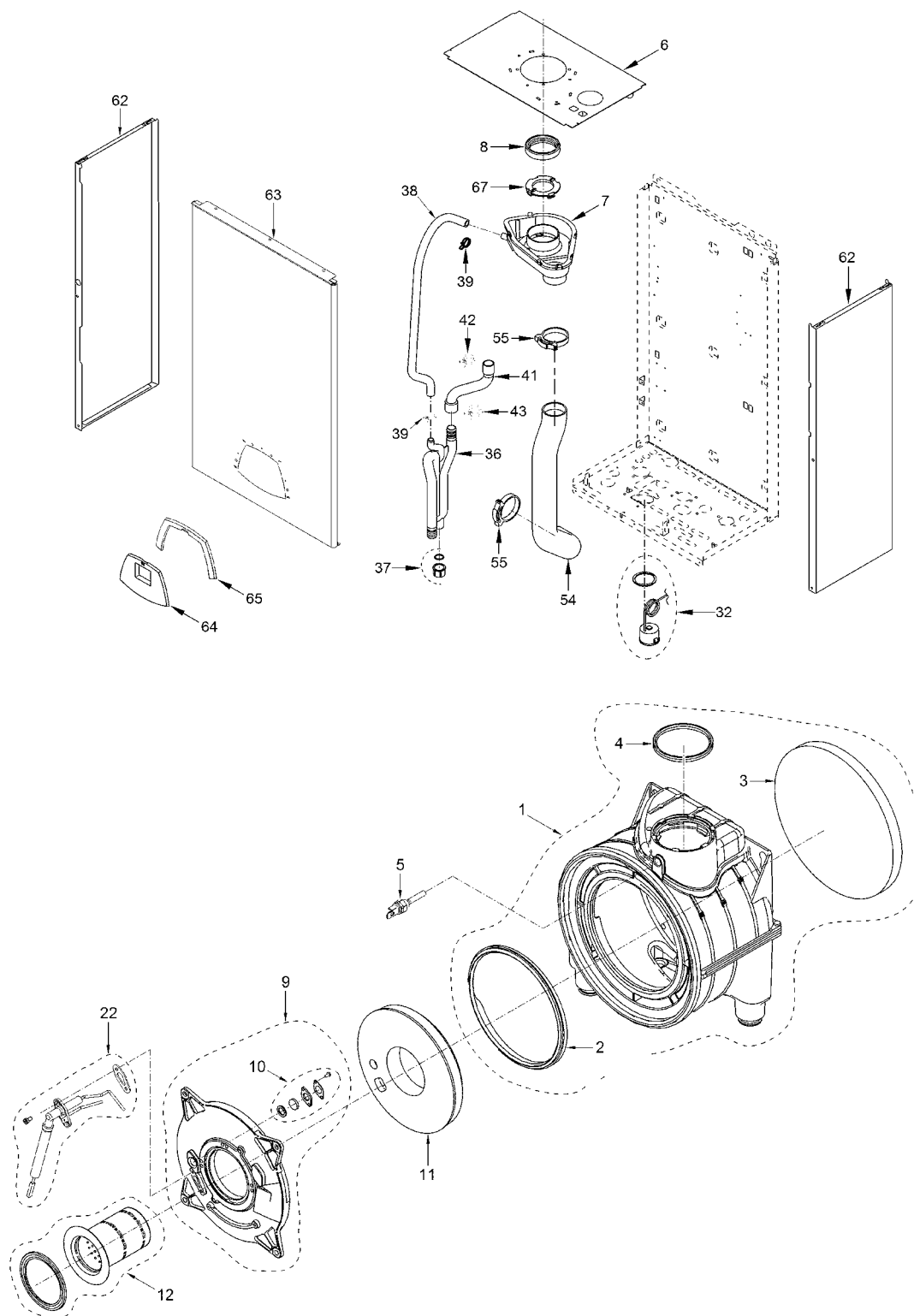


ΘΕΣΗ	ΚΩΔΙΚΟΣ	ΠΕΡΙΓΡΑΦΗ	ΤΙΜΗ
066	0527-6329960	Rubber cap	€
067	0527-6028663	Smoke exhaust diaphragm D.34	€
068	0527-6226757	Plug for noise reduction	€
070	0527-6265870	C.H. flow manifold	€
071	0527-6265832	C.H. return manifold	€
072	0527-6319692	Kit 16 plate heat exchanger + o	€
073	0527-6226475	ORing diam.18,64x3,53	€
074	0527-6222003	D.H.W. filter	€
075	0527-6131440	Flowmeter sensor	€
076	0527-6040226	Pressure relief valve 1/2" 3 ba	€
077	0527-6281519	Plunged sensor + gasket	€
078	0527-6226645	Spring clip	€
079	0527-6120560	Pump nipple 3/4"	€
080	0527-6226475	ORing diam.18,64x3,53	€
081	0527-6330401	Modulating circulating pump	€
082	0527-6226644	Spring clip for rotating connec	€
083	0527-6087332	Motor for diverting valve	€
084	0527-6226636	D.H.W. elektrovalve fix.spring	€
085	0527-6226638	Divertor valve motor spring cli	€
086	0527-6319644	Flowmeter group	€
087	0527-6319645	Three-way plates group	€
088	0527-6319647	Circulateur top cover	€
089	0527-6013182	Automatic air vent	€
090	0527-6319639	Filling cock	€
091	0527-6034131	Flexible pipe	€
095	0527-6304720	Control panel	€
096	0527-6324982	Main P.C.B	€
097	0527-6329610	4 pole cable connector CN13	€
098	0527-6323875	6 pole cable connector CN12	€
099	0527-6329611	4 pole cable connector CN14	€
100	0527-6325811	14 pole cable connector CN15	€
101	0527-6329457	6 pole cable connector CN2	€
102	0527-6325671	9 pole cable connector CN1	€
700	0527-5202582	Complete control panel	€
705	0527-5185155	L.P.G. conversion kit	€
706	0527-5185162	Conversion kit for natural gas	€

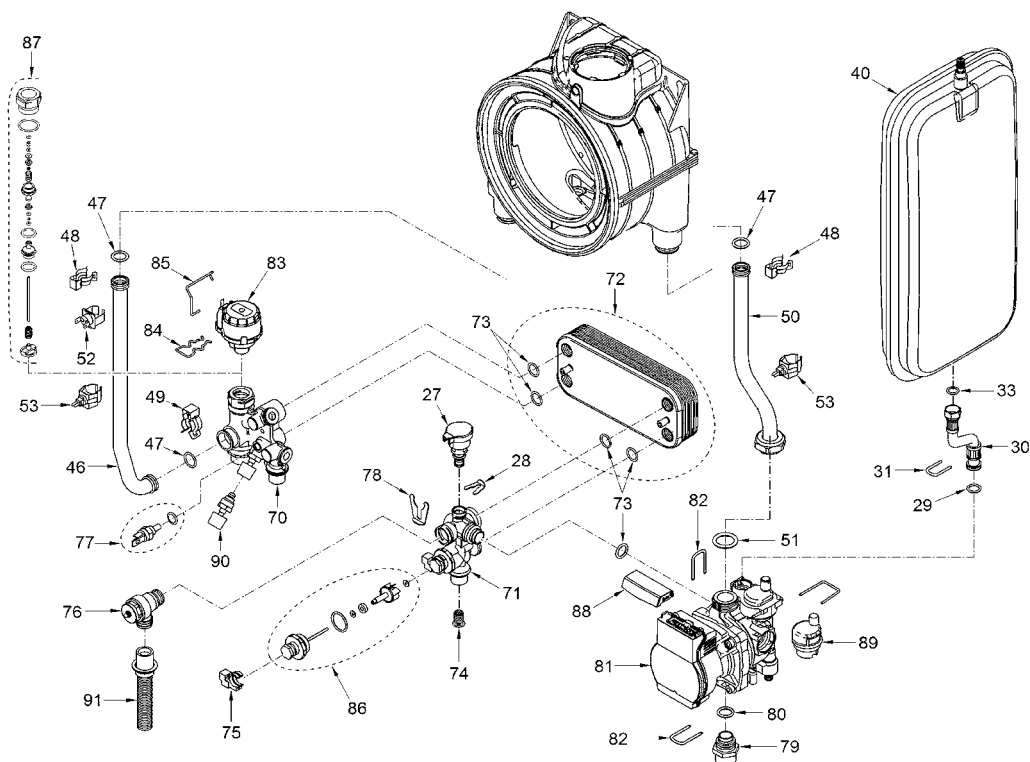
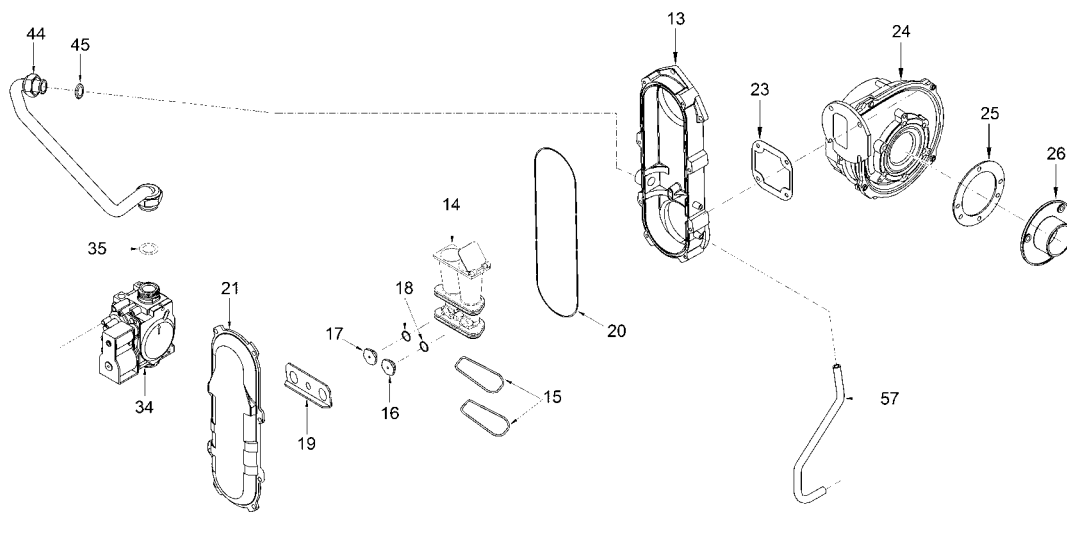


EDEA HM 40 GPL

[8116727]

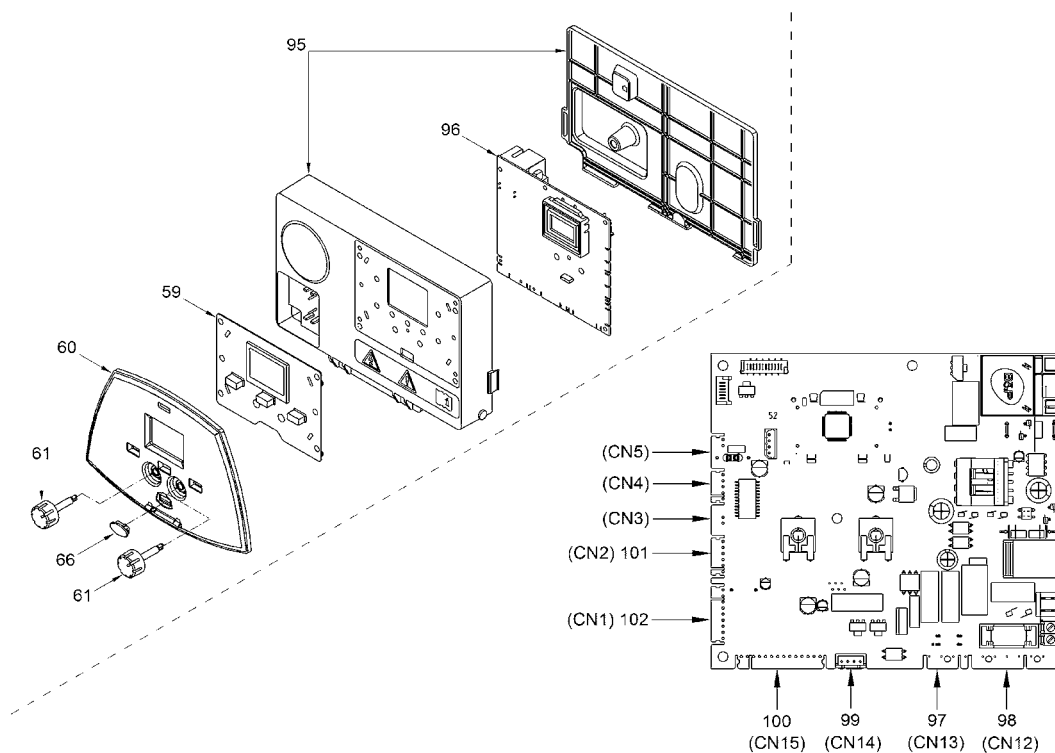


EDEA HM 40 GPL





EDEA HM 40 GPL



ΘΕΣΗ	ΚΩΔΙΚΟΣ	ΠΕΡΙΓΡΑΦΗ	ΤΙΜΗ
001	0527-6278957	Heat exchanger gas-water	€
002	0527-6326953	Sealing	€
003	0527-6326951	Rear insulation + springs	€
004	0527-6248876	Smoke outlet gasket ø80 mm	€
005	0527-6277130	Probe NTC D.4X40	€
006	0527-6291162	Upper protection shield	€
007	0527-6278706	Smoke chamber	€
008	0527-6248855	P.C. inlet/outlet smokes gasket	€
009	0527-5188364	Main exchanger door	€
010	0527-6211794	Peephole kit + gasket	€
011	0527-6269034	Insulation	€
012	0527-8076127	Burner + gasket kit	€
013	0527-6278813	Air-gas hose lower side	€
014	0527-5200312	Air/gas mixer assembly	€
015	0527-6226470	ORing 52,07 x 2,62	€
016	0527-6322300	Round nozzle Ø 2,80	€
017	0527-6322359	Hexagonal nozzle Ø 3,40	€
018	0527-6226403	O-ring 2031	€
019	0527-6267119	Nozzle locking bracket	€
020	0527-6226465	O-ring Ø 183,83x2,62	€
021	0527-6278812	Air-gas hose upper side	€

EDEA HM 40 GPL



ΘΕΣΗ	ΚΩΔΙΚΟΣ	ΠΕΡΙΓΡΑΦΗ	ΤΙΜΗ
022	0527-6281609	Ignit.-ionis.electrode +gasket	€
023	0527-6174816	Gasket for fan flange	€
024	0527-6261405	Fan	€
025	0527-6028703	Gasket for duct flange	€
026	0527-6083056	Duct flange 50	€
027	0527-6273608	Water pressure transducer	€
028	0527-6226639	Spring clip	€
029	0527-6226476	ORing diam.15x2	€
030	0527-6017405	Flexible pipe M.F. 3/8" L=300	€
031	0527-6226643	Pipe fixing spring	€
032	0527-6281716	Hydrometer + spring	€
033	0527-2030226	Gasket Ø 10,2x14,8x2	€
034	0527-6243840	Gas valve	€
035	0527-2030228	Gasket Ø 17x24x2	€
036	0527-6277211	Water trap	€
037	0527-5171635	Cap + gasket for water trap kit	€
038	0527-1010215	Rubber pipe dia. 15x2,5	€
039	0527-2051120	Clamp diam. 17,3	€
040	0527-5183730	Rectang. expansion vessel L.10	€
041	0527-6034155	Condensate drainage pipe	€
042	0527-2051122	Clamp	€
043	0527-2051123	Clamp diam.	€
044	0527-6277479	Pipe connecting gas valve	€
045	0527-2030255	Gasket Ø 12,5x18,5x3	€
046	0527-6227486	Flowing pipe to C.H. system	€
047	0527-6226412	O-ring 3068	€
048	0527-6226619	Spring for heat exchanger conne	€
049	0527-6226601	Spring for heat exchanger conne	€
050	0527-6227548	Return pipe from C.H. system	€
051	0527-2030267	Piracriten gasket Ø 30x17x2	€
052	0527-6146729	100°C safety stat	€
053	0527-6231372	Temperature sensor	€
054	0527-6001182	Air intake superior pipe ø55	€
055	0527-2051252	Hose clamp Ø 53-57	€
056	0527-6001183	Air intake inferior pipe ø55	€
057	0527-1010209	Silicon pipe Ø 8x1.5	€
058	0527-6188883	Noise reduction pipe	€
059	0527-6329900	Rubber button	€
060	0527-6329800	Interface panel	€
061	0527-6290170	Knob Ø 20	€
062	0527-6304480	casing left/right side panel	€
063	0527-6304251	Casing front panel	€
064	0527-6281730	Door for front panel	€
065	0527-6299760	Frame for front panel	€



EDEA HM 40 GPL



ΘΕΣΗ	ΚΩΔΙΚΟΣ	ΠΕΡΙΓΡΑΦΗ	ΤΙΜΗ
066	0527-6329960	Rubber cap	€
067	0527-6028665	Smoke exhaust diaphragm	€
068	0527-6226757	Plug for noise reduction	€
070	0527-6265870	C.H. flow manifold	€
071	0527-6265832	C.H. return manifold	€
072	0527-6319693	Kit 18 plate heat exchanger + o	€
073	0527-6226475	ORing diam.18,64x3,53	€
074	0527-6222003	D.H.W. filter	€
075	0527-6131440	Flowmeter sensor	€
076	0527-6040226	Pressure relief valve 1/2" 3 ba	€
077	0527-6281519	Plunged sensor + gasket	€
078	0527-6226645	Spring clip	€
079	0527-6120560	Pump nipple 3/4"	€
080	0527-6226475	ORing diam.18,64x3,53	€
081	0527-6330401	Modulating circulating pump	€
082	0527-6226644	Spring clip for rotating connec	€
083	0527-6087332	Motor for diverting valve	€
084	0527-6226636	D.H.W. elektrovalve fix.spring	€
085	0527-6226638	Divertor valve motor spring cli	€
086	0527-6319644	Flowmeter group	€
087	0527-6319645	Three-way plates group	€
088	0527-6319647	Circulateur top cover	€
089	0527-6013182	Automatic air vent	€
090	0527-6319639	Filling cock	€
091	0527-6034131	Flexible pipe	€
095	0527-6304720	Control panel	€
096	0527-6324982	Main P.C.B	€
097	0527-6329610	4 pole cable connector CN13	€
098	0527-6323875	6 pole cable connector CN12	€
099	0527-6329611	4 pole cable connector CN14	€
100	0527-6325811	14 pole cable connector CN15	€
101	0527-6329457	6 pole cable connector CN2	€
102	0527-6325671	9 pole cable connector CN1	€
700	0527-5202582	Complete control panel	€
705	0527-5185156	L.P.G. conversion kit	€
706	0527-5185163	Conversion kit for natural gas	€